

MAXIGRIP®

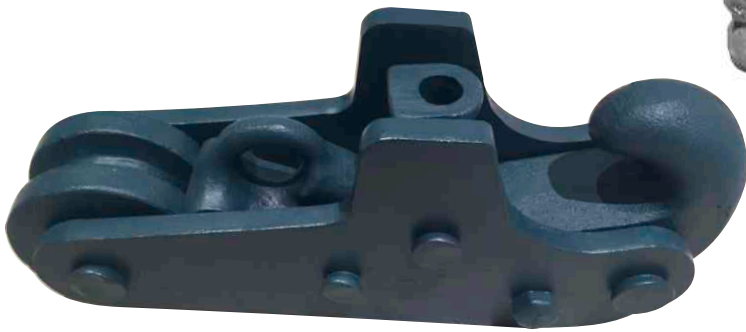
SUGAR & TIMBER BUNDLING SYSTEM

The ideal solution for bundling, transport and stock piling at loading sites and at the mill.

The **MaxiGrip** is both a tightening and quick release device.

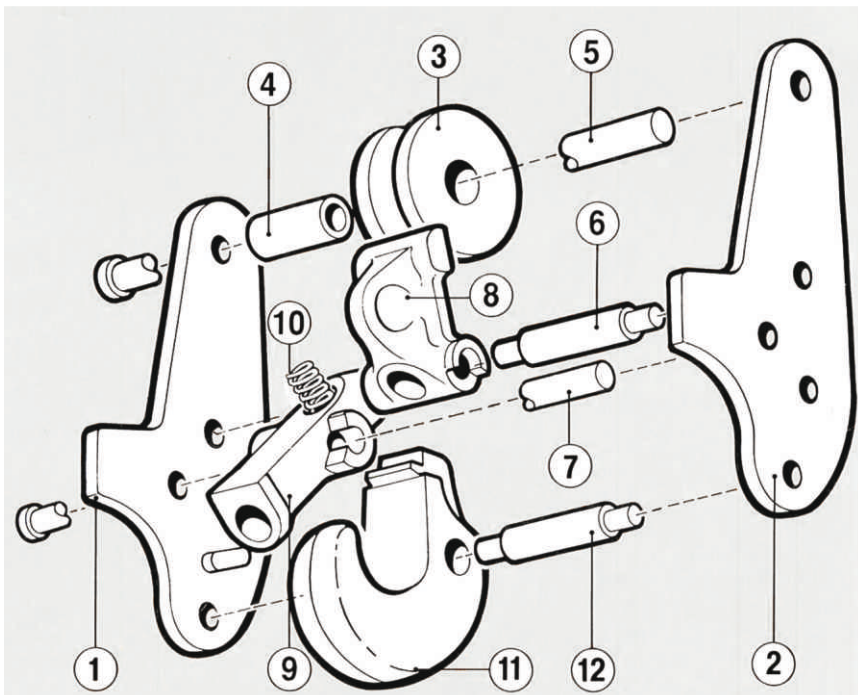
Chain Size	Quality/Grade	Mass Per Metre	Working Load Limit	Factor of Safety
11.2mm	Grade 60	2.77 kg	3160 kg	4:1

Total mass of **MaxiGrip**, Grade 60 Chain x 9m plus 50mm Lug Ring = 39kg



COMPONENTS

1. Side Plate (LH)
2. Side Plate (RH)
3. Chain Roller
4. Roller Sleeve
5. Cup Head Rivet - A
6. Step Pin A
7. Cup Head Rivet - B
8. Chain Toggle
9. Trip Toggle
10. Compression Spring
11. Grab Hook
12. Step Pin - B



All **MaxiGrip** components are available separately, including:



50mm Lug Ring



Chain Connecting Link



Clevis Grade 80 Forestry Hook