

ROLACRAWL®



PLAIN & GEARED CRAWLS

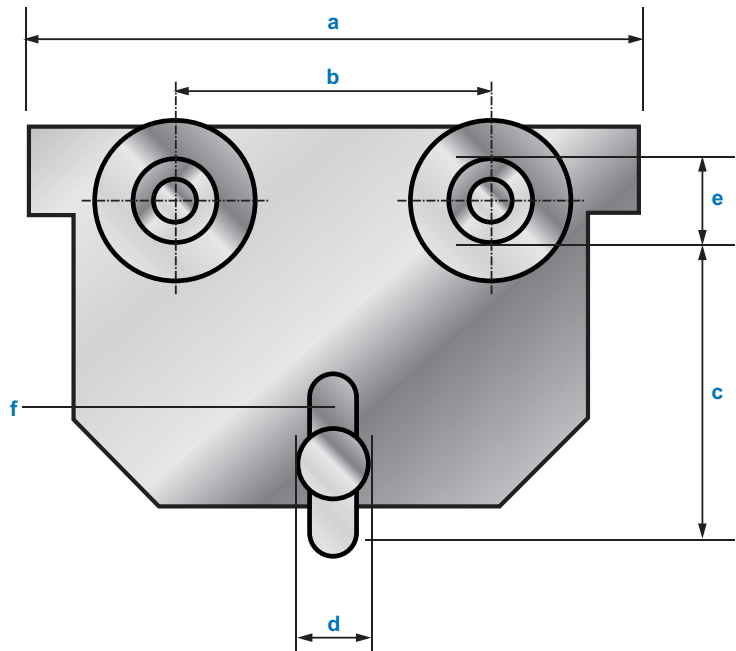
Rolacrawl Crawls are easily adjustable to suit a wide range of beam widths.



Rolacrawl hoist crawls or trolleys are available in a push or hand geared versions. The hand chain fitted to the hand geared unit can be supplied to suit the drop required. The units can be precisely adjusted to suit the width of any I-beam or H-beam using the counter-threaded bolt which ensures that the load is centred, preventing sideward movement on the beam.

PLAIN

GEARED



Approximate Dimensions		Capacity				
		1/2 Ton	1 Ton	2 Ton	3 Ton	5 Ton
Item code	Plain	CRRP005	CRRP010	CRRP020	CRRP030	CRRP050
	Geared*	N/A	CRRG010/3M	CRRG020/3M	CRRG030/3M	CRRG050/3M
a	Overall Length	198mm	245mm	277mm	330mm	380mm
b	Distance Between Axles (Centre to Centre)	100mm	120mm	130mm	160mm	170mm
c	Distance Between Beam Base & Hook Bearing Point	80mm	105mm	125mm	150mm	160mm
d	Shaft Diameter	24mm	30mm	36mm	41mm	47mm
e	Load Wheel Diameter (At Load Bearing Surface)	55mm	67mm	80mm	100mm	110mm
f	Internal Width & Height of Suspension Eye	24x30mm	30x35mm	40x47mm	44x57mm	50x64mm

* Geared Code for 3m Hand Chain

Approximate Dimensions		Capacity				
		1/2 Ton	1 Ton	2 Ton	3 Ton	5 Ton
Side Plate Thickness		6mm	8mm	10mm	12mm	16mm
Weight	Plain	5kg	9kg	14.5Kg	23.5kg	36.5kg
	Geared	N/A	10kg	15.5kg	25kg	38.5kg
To fit beam width - Minimum		50mm	58mm	66mm	74mm	90mm
To fit beam width - Maximum		220mm	220mm	220mm	220mm	220mm
Minimum Radius		1.3m	1.3m	1.5m	2.0m	2.5m